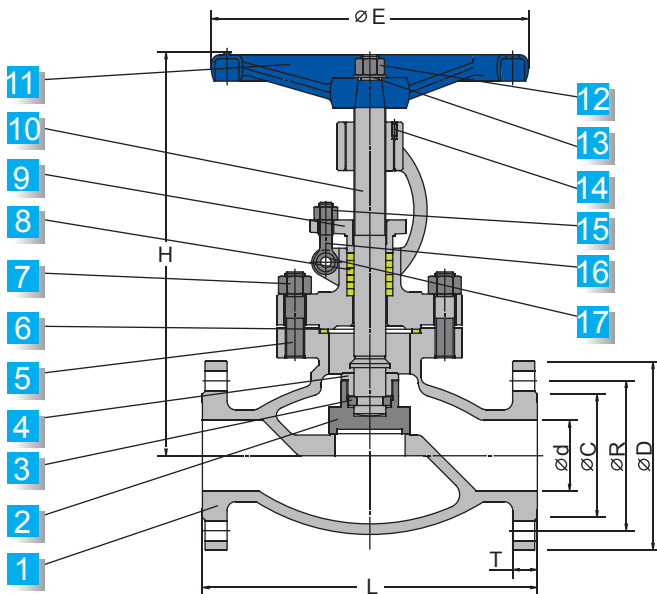


FEATURES:

- Metal Seal
- Flange Standard:JIS B2239/ANSI B16.5
- Class 150LB/10K
- Investment Casting Body
- Wheel Handle Operate
- Testing & Inspection:API 598
- Design Standard:ANSI B16.34
- Face to Face:JIS B2002/ANSI B16.10



| NO. | PART NAME | MATERIAL | |
|-----|--------------|----------|---------|
| 1 | Body | CF8M | CF8 |
| 2 | Disc | CF8M | CF8 |
| 3 | Half Ring | SUS 304 | |
| 4 | Disc Cover | CF8M | CF8 |
| 5 | Bolt | A193-B8 | |
| 6 | Gasket | PTFE | |
| 7 | Nut | A193-B8 | |
| 8 | Stem Packing | PTFE | |
| 9 | Bonnet | CF8M | CF8 |
| 10 | Stem | SUS 316 | SUS 304 |
| 11 | Wheel Handle | FCD | |
| 12 | Stem Nut | A193-B8 | |
| 13 | Washer | SUS 301 | |
| 14 | Small Bolt | SUS 301 | |
| 15 | Nut | A193-B8 | |
| 16 | Eye Bolt | SUS 304 | |
| 17 | Locking Pin | SUS 304 | |

Unit:mm 10K/150LB

| Size | L | ød | H | øE | øC | | øR | | øD | | T | |
|--------|-----|-----|-----|-----|-----|-------|-----|-------|-----|-------|-----|-------|
| | | | | | 10K | 150LB | 10K | 150LB | 10K | 150LB | 10K | 150LB |
| 1/2" | 108 | 15 | 180 | 140 | 51 | 35 | 70 | 60.5 | 95 | 89 | 12 | 12.1 |
| 3/4" | 117 | 20 | 190 | 140 | 56 | 43 | 75 | 70 | 100 | 98 | 14 | 12.1 |
| 1" | 127 | 25 | 200 | 140 | 67 | 51 | 90 | 79.5 | 125 | 108 | 14 | 12.1 |
| 1-1/4" | 140 | 32 | 245 | 160 | 76 | 64 | 100 | 89 | 135 | 117 | 16 | 12.7 |
| 1-1/2" | 165 | 40 | 250 | 160 | 81 | 73 | 105 | 98.5 | 140 | 127 | 16 | 14.3 |
| 2" | 203 | 50 | 260 | 200 | 96 | 92 | 120 | 120.5 | 155 | 152 | 16 | 15.9 |
| 2-1/2" | 216 | 65 | 315 | 200 | 116 | 105 | 140 | 139.5 | 175 | 178 | 18 | 17.5 |
| 3" | 241 | 80 | 330 | 250 | 126 | 127 | 150 | 152.5 | 185 | 190 | 18 | 19.1 |
| 4" | 292 | 100 | 395 | 250 | 151 | 157 | 175 | 190.5 | 210 | 229 | 18 | 23.9 |
| 5" | 356 | 125 | 450 | 300 | 182 | 186 | 210 | 216 | 250 | 254 | 20 | 23.9 |
| 6" | 406 | 150 | 540 | 350 | 212 | 216 | 240 | 241.5 | 280 | 279 | 22 | 25.4 |
| 8" | 495 | 200 | 675 | 350 | 262 | 270 | 290 | 298.5 | 330 | 343 | 22 | 28.6 |
| 10" | 622 | 250 | 835 | 400 | 324 | 324 | 355 | 362 | 400 | 406 | 24 | 30.2 |
| 12" | 698 | 300 | 985 | 400 | 368 | 381 | 400 | 432 | 445 | 483 | 24 | 31.8 |