

Butterfly Valve

WS-GL01F

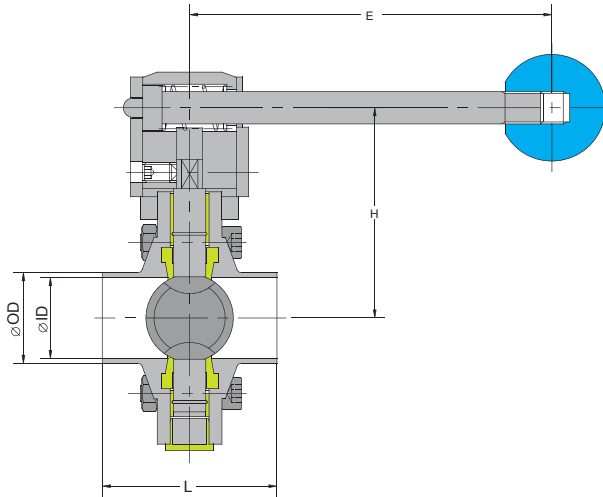
Sanitary Butterfly Valve Butt Welding End, PN10/16

STANDARD:

- Face to Face:DIN,3A,SMS
- Butt Welding End:DIN,3A ,SMS
- Pressure:PN10-PN16
- Forged Stainless Steel:SUS 316,SS304
- Testing & Inspection:API 598
- Design Standard:ANSI B16.34

FEATURES:

- Polished Disc For Sealing Face
- Diffrent Postion Locking Handle(4-12Position)
- No Oil Installation For Food & Beverage Industry
- Precision Open & Close Handle Position



Unit:mm DIN 11850

DN	L	øID	øOD	H	E
25	50.8	25	28	77	130
40	50.8	37	40	82	130
50	54	49	52	88	130
65	58	66	70	88	130
80	58	81	85	95.5	140
100	68	100	104	115	140
150	80	150	154	125	150

Unit:mm SMS

Size	L	øID	øOD	H	E
1"	50.8	22.5	25	76	130
1-1/2"	50.8	35.4	38	82	130
2"	54	48	51	88	130
2-1/2"	58	60.2	63.5	88	130
3"	58	72.9	76	95.5	140
4"	68	100	104	115	140

Unit:mm 3A

Size	L	øID	øOD	H	E
1"	50.8	22.1	25.4	77	130
1-1/2"	50.8	34.8	38.1	82	130
2"	54	47.5	50.8	88	130
2-1/2"	58	60.2	63.5	88	130
3"	58	72.9	76.2	95.5	140
4"	68	97.4	101.6	115	140
5"	80	146.8	152.4	125	150