

# Butterfly Valve

WS-GL01F

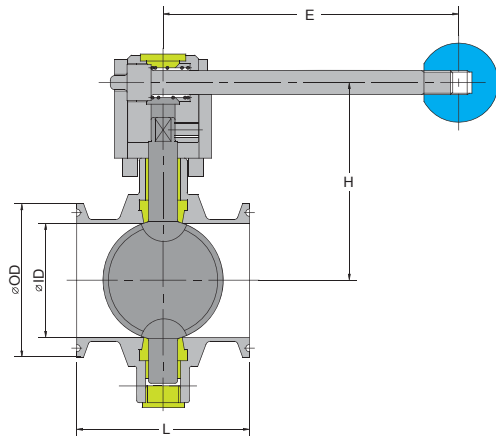
Sanitary Butterfly Valve Clamp End, PN10/16

## STANDARD:

- Face to Face:DIN,3A,SMS
- Butt Welding End:DIN,3A ,SMS
- Pressure:PN10-PN16
- Forged Stainless Steel:SUS 316,SS304
- Testing & Inspection:API 598
- Design Standard:ANSI B16.34

## FEATURES:

- Polished Disc For Sealing Face
- Diffrent Postion Locking Handle(4-12Position)
- No Oil Installation For Food & Beverage Industry
- Precision Open & Close Handle Position



Unit:mm DIN 11850

DN	L	øID	øOD	H	E
25	65	25	50.4	77	130
40	72	37	50.4	82	130
50	72	49	63.9	88	130
65	76	66	77.5	88	130
80	76	81	90.9	95.5	140
100	104	100	118.9	115	140
150	104	150	166.9	125	150

Unit:mm SMS

Size	L	øID	øOD	H	E
1"	65	22.5	25	76	130
1-1/2"	72	35.4	38	82	130
2"	72	48	51	88	130
2-1/2"	76	60.2	63.5	88	130
3"	76	72.9	76	95.5	140
4"	104	100	104	115	140

Unit:mm 3A

Size	L	øID	øOD	H	E
1"	65	22.1	50.4	75	130
1-1/2"	72	34.8	50.4	82	130
2"	72	47.5	63.9	88	130
2-1/2"	76	60.2	77.5	88	130
3"	76	72.9	90.9	95.5	140
4"	104	97.4	118.9	115	140
5"	104	146.8	166.9	125	150