

# Butterfly Valve

WS-GL01F

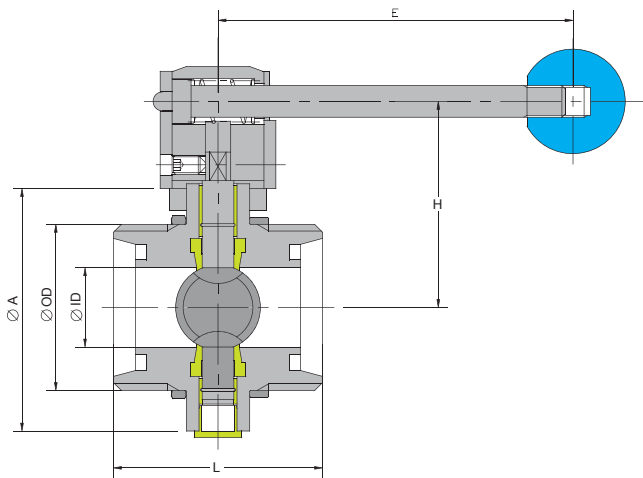
Sanitary Butterfly Valve Screw End,PN10/16

## STANDARD:

- Face to Face:DIN,3A,SMS
- Butt Welding End:DIN,SMS
- Pressure:PN10-PN16
- Forged Stainless Steel:SUS 316,SS304
- Testing & Inspection:API 598
- Design Standard:ANSI B16.34

## FEATURES:

- Polished Disc For Sealing Face
- Diffrent Postion Locking Handle(4-12Position)
- No Oil Installation For Food & Beverage Industry
- Precision Open & Close Handle Position



Unit:mm DIN 11850

DN	L	øID	øOD	H	E	øA
25	66	25	52X1/6"	77	130	79
40	74	37	65X1/6"	82	130	85
50	76	49	78X1/6"	88	130	105
65	84	66	95X1/4"	88	130	120
80	90	81	110X1/4"	95.5	140	126
100	108	100	130X1/4"	115	140	160
150	150	150	190X1/4"	125	150	220

Unit:mm SMS

Size	L	øID	øOD	H	E	øA
1"	68	22.5	40X1/6"	76	130	78
1-1/2"	75	35.4	60X1/6"	82	130	86
2"	80	48	70X1/6"	88	130	102
2-1/2"	80	60.2	85X1/6"	88	130	120
3"	82	72.9	98X1/6"	95.5	140	125
4"	100	100	132X1/6"	115	140	160