

# Check Valve

WSC-01P

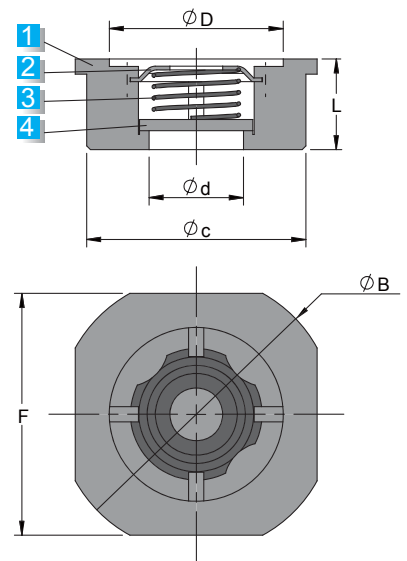
Singl Plant Wafer Check Valve PN10-40

## FEATURES:

- Investment Casting Body
- Flange Standard: PN10/25/40 ANSI #150/#300
- Viton Sealing And Metal Sealing Available
- Material: CF8M/CF8/SS316/SS304/1.4408/1.4301
- Maximum Working Temperature: 400 °C



NO.	PART NAME	MATERIAL	
1	Body	CF8M	CF8
2	Stop Cap	SS316	SS304
3	Spring	SS304	
4	Disc	CF8M	CF8



Size	1/2"	3/4"	1"	1-1/4"	1-1/2"	2"	2-1/2"	3"	4"	6"
L	16	19	22	28	32	40	46	50	60	106
$\phi d$	15	20	25	32	40	50	62	77	95	138
$\phi c$	43	53	57	74	82	91	112	126	150	217
$\phi D$	34	42	46	62	71	80	100	112	135	196
F	45	55	65	79	89	100	118	135	155	
$\phi B$	53	63	73	84	94	106	127	144	164	220

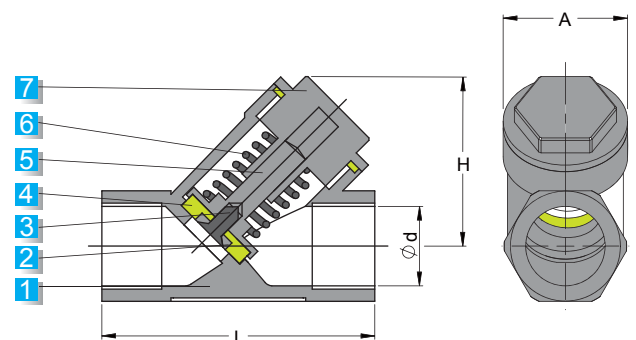
WSC-S02

Y-Type Spring Check Valve Class 200

## FEATURES:

- Investment Casting Body
- Swing Type
- Viton Sealing And Metal Sealing Available
- Material: CF8M/CF8/SS316/SS304/1.4408/1.4301
- Maximum Working Temperature: 400 °C

NO.	PART NAME	MATERIAL	
1	Body	CF8M	CF8
2	Washer	SUS304	
3	Screw	GB-T68	
4	Disc	PTFE	Metal Seal
5	Plate	SUS316	SUS304
6	Spring	SUS304	
7	Cap	CF8M	CF8



Size	1/2"	3/4"	1"	1-1/4"	1-1/2"	2"
L	65	75	90	110	120	140
$\phi d$	15	20	25	32	40	50
H	42	49	58	65	74	85
A	31	33	36	52	59	70

